



### INSTALLATION AND USE

Designed for pumping diesel/naphtha and clean water free from abrasive particles and non-corrosive liquids that do not harm the pump's components.

Their specific operating mechanism makes them an excellent solution when a compact self-priming pump is required or when the flow of the liquid is irregular or mixed with air.

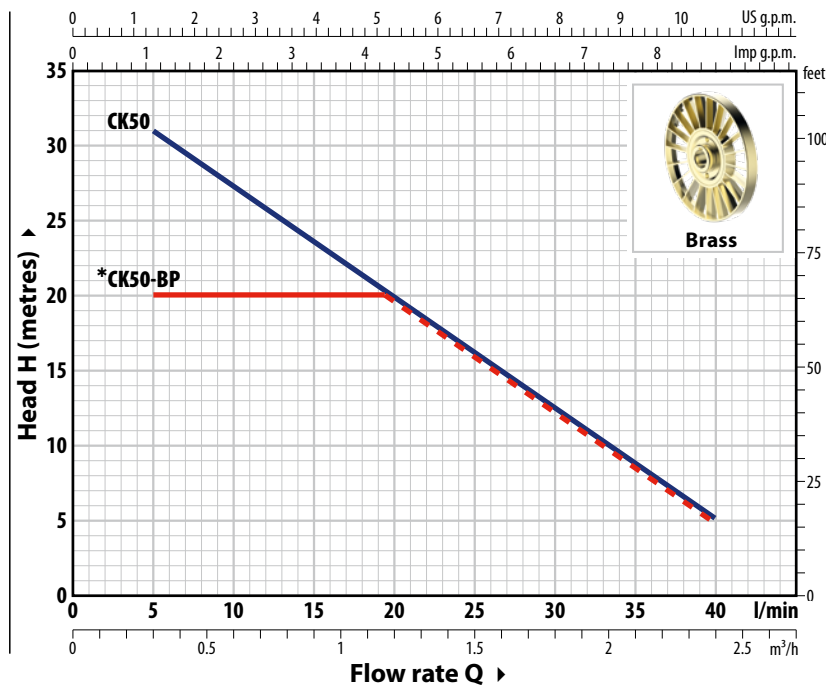
### APPLICATION LIMITS

- Suction head up to **9 m (HS)**
- Liquid temperature between **-10 °C** and **+90 °C**
- Temperature for diesel/naphtha up to **+55 °C**
- Ambient temperature up to **+40 °C**
- Maximum working pressure **6 bar**

### AVAILABLE UPON REQUEST

✘ Mechanical seal options available

### CURVES AND PERFORMANCE DATA – HS=0 m 50 Hz



(\*) CK 50-BP = performance curve with by-pass

### ABSORPTION

TYPE	VOLTAGE
Single-ph.	<b>230 V</b>
CKm 50	3.0 A
CKm 50-BP	2.7 A

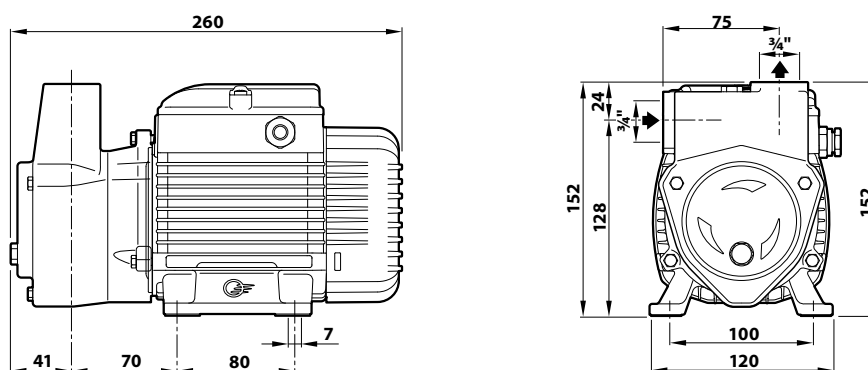
TYPE	VOLTAGE	
Three-ph.	<b>230 V - Δ</b>	<b>400 V - Λ</b>
CK 50	2.1 A	1.2 A
CK 50-BP	1.7 A	1.0 A

TYPE		POWER (P <sub>2</sub> )		1~	3~	Q	Flow rate													
Single-ph.	Three-ph.	kW	HP				Q	0	0.3	0.6	0.9	1.2	1.5	1.8	2.1	2.4				
CKm 50	CK 50	0.37	0.50	IE2	IE3	H metres	0	5	10	15	20	25	30	35	40					
CKm 50-BP	CK 50-BP	0.25	0.33				35	31	27	24	20	16	13	9	5					
							20	20	20	20	20	16	13	9	5					

Q = Flow rate H = Total manometric head HS = Suction height

Performance curves comply with EN ISO 9906 Grade 3B tolerance limits.

## DIMENSIONS (mm)



TYPE		PORTS		WEIGHT (kg)		PALLET CAPACITY
Single-phase	Three-phase	DN1	DN2	1~	3~	
CKm 50	CK 50	3/4"	3/4"	7.3	7.3	160

## CONSTRUCTION FEATURES

<b>1 Pump body</b>	Cast iron with ISO 228/1 threaded ports	
<b>2 Motor bracket</b>	Aluminium with brass cover with front anti-locking shim function (patented)	
<b>3 Impeller</b>	Brass with open radial vanes	
<b>4 Mechanical seal</b>	Type	Materials
	<b>AR-12V</b>	Ceramic / Graphite / Viton
<b>5 Shaft</b>	Stainless steel <b>AISI 431</b>	
<b>6 Electric motor</b>	<b>CKm:</b> single-phase 230 V - 50 Hz with winding integrated thermal motor protection. <b>CK:</b> three-phase 230/400 V - 50 Hz ※ Pumps are equipped with high-efficiency motors (IEC 60034-30-1) class <b>IE2</b> for single-phase models class <b>IE3</b> for three-phase models – Continuous running duty <b>S1</b> – Insulation: class F – Protection rating: IP X4	

